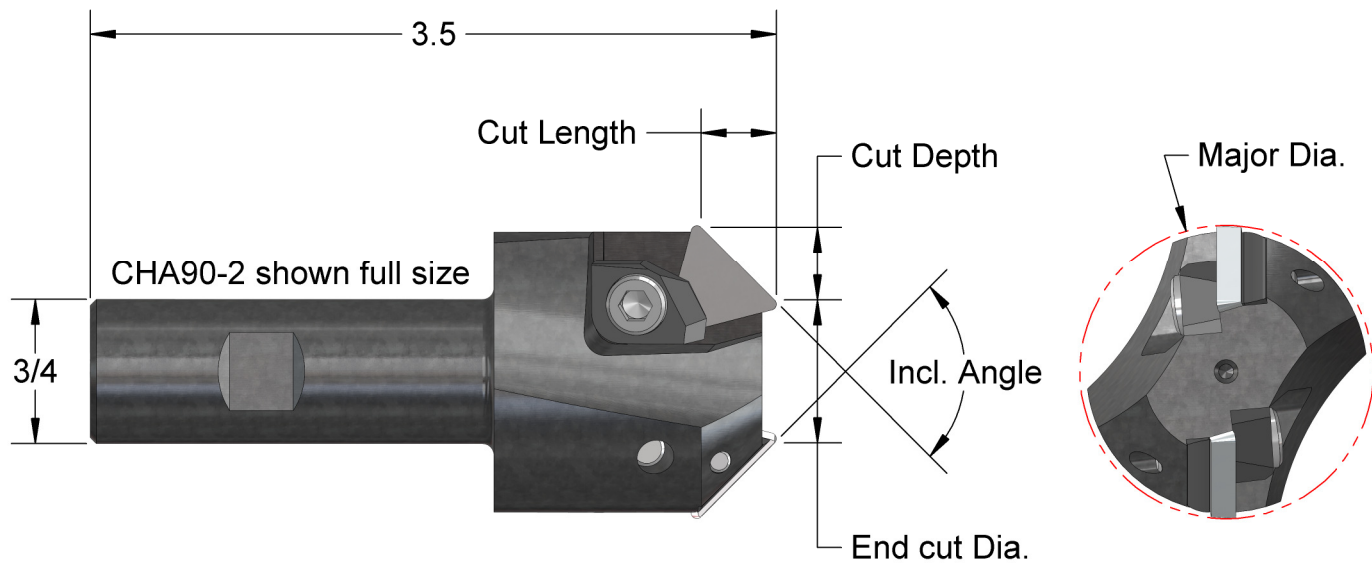


# Positive Rake Chamfer-Hogs



All Positive Chamfer-Hogs use  
Insert TPU322 and Shim SM41  
For Ferrous or Non-Ferrous

Number	Included Angle	No. of Flutes	End Dia.	Major Dia.	Cut Lgth.	Cut Depth	Clamp No.	Price Incl. Inserts
CHA90-2	90°	2	3/4	1.5	.37	.37	CL2	\$310.
CHA120-2	120°	2	5/8	1.6	.19	.42	CL2	\$310.
CHA60-3P	60°	3	1.1	1.6	.42	.19	CL5	\$410.
CHA150-2	150°	2	.47	1.56	.14	.52	CL2	\$310.

Insert	Price	Clamps	Price	Shims	Price	Screws at no charge with each purchase of Clamps & Shims. Ind. Standard 10-32 & 1/4-20 Socket Head, and 5-40 Flat Head.
TPU322 C5	\$12.50.	CL2	\$17.50.	SM41 Modified	\$17.50.	
		CL5	\$22.50.			



A. B. TOOLS, INC.  
1051 Aviation Blvd.  
Lincoln, CA 95648-9312

Phone 916 408-2442  
FAX 916 993-3949

www.abtoolsinc.com  
E-Mail: mail@abtoolsinc.com