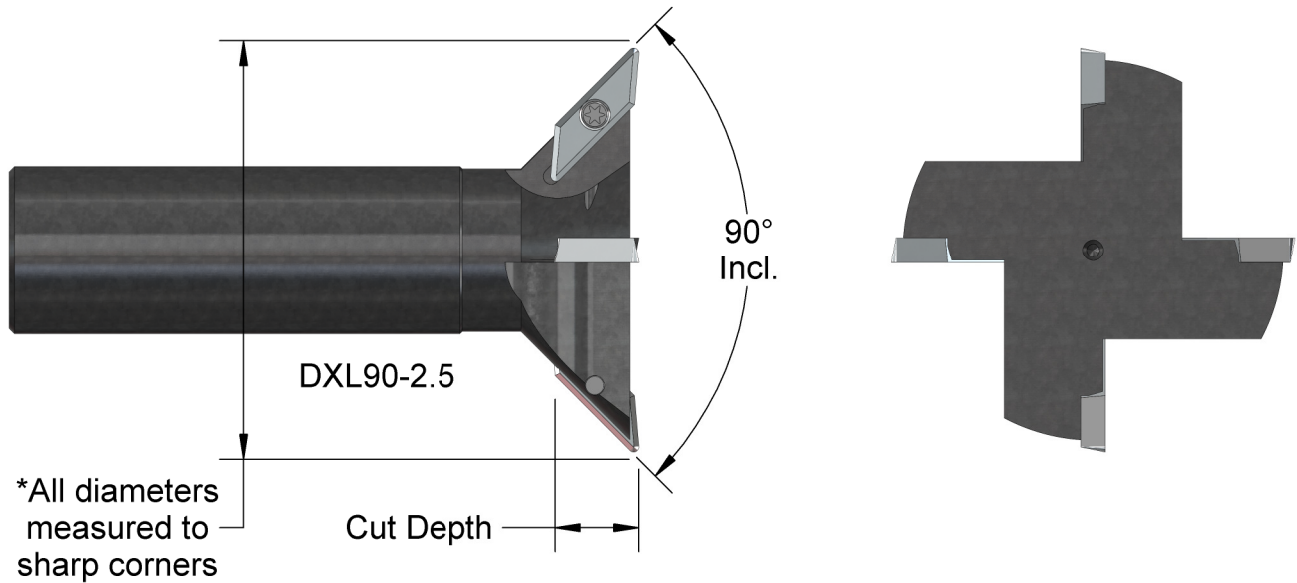





70° to 90° Dexi-Dovetail Original Width Inserts



Number	*Dia.	Cut Depth	Incl. Angle	Shank & OAL	Flutes	Price
DXL70-1.75	1.750	.560	70°	3/4 X 3.75	3	\$365.
DXL70-2.0	2.000	.560	70°	1 X 3.75	3	\$375.
DXL75-2.0	2.000	.550	75°	1 X 3.75	3	\$375.
DXL80-2.0	2.000	.530	80°	1 X 3.75	3	\$375.
DXL90-2.0	2.000	.490	90°	3/4 X 3.75	3	\$375.
DXL90-2.5	2.500	.490	90°	1 X 3.75	4	\$475.
DXL90-3.0	3.000	.490	90°	1 X 3.75	5	\$540.

Original Long Insert 	Insert Number	Radius	Price	
			No-Coat	AITiN
	Di90L-1	.015		
	Di90L-2	.030	\$13.75	\$16.25
	Di90L-3	.046		

Screw & Key	Number	Price
	DX-3MM	\$2.50
	T8	\$6.00



A. B. TOOLS, INC.
1051 Aviation Blvd.
Lincoln, CA 95648-9312

Phone 916 408-2442
FAX 916 993-3949

www.abtoolsinc.com
E-Mail: mail@abtoolsinc.com