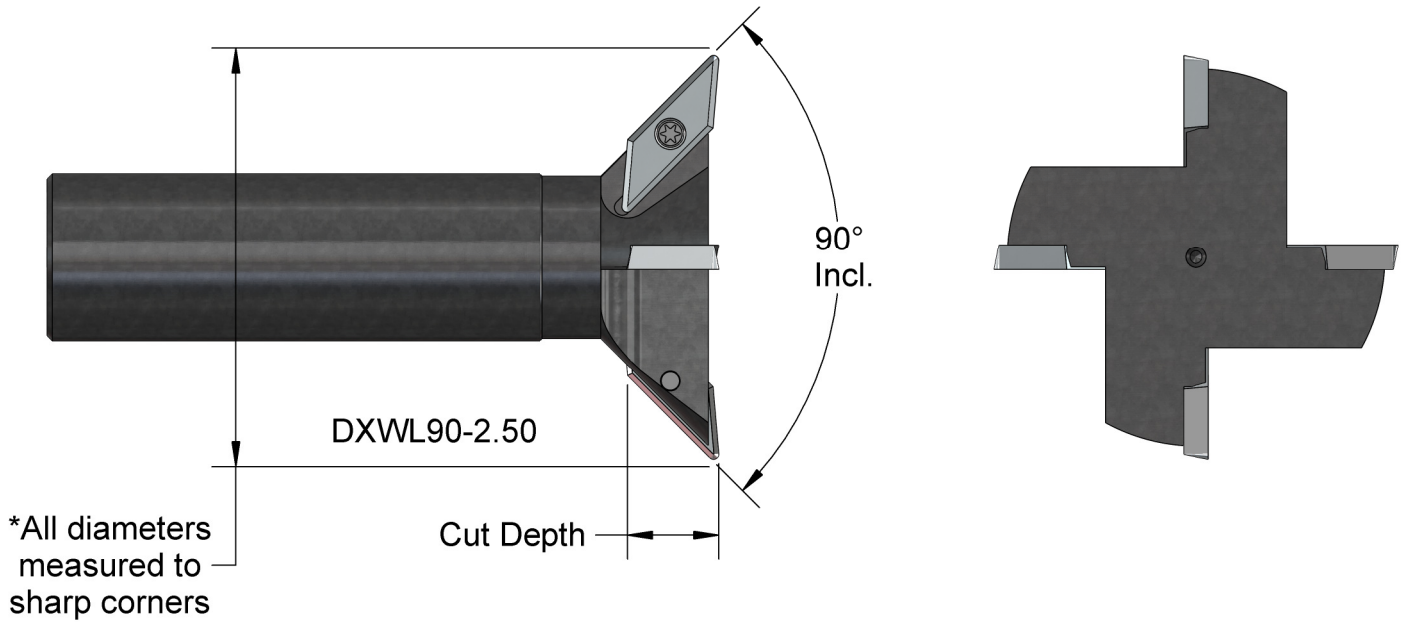





# 70° to 90° Dexi-Dovetails wider, stronger inserts



Number	*Dia.	Cut Depth	Incl. Angle	Shank & OAL	Flutes	Price
DXWL70-2.0	2.000	.560	70°	1 X 4	3	\$385.
DXWL80-2.25	2.250	.530	80°	1 X 4	3	\$425.
DXWL90-2.25	2.250	.490	90°	1 X 4	3	\$425.
DXWL90-2.50	2.500	.490	90°	1 X 4	4	\$440.
DXWL90-3.0	3.000	.490	90°	1 X 4	4	\$550.

Wide Insert				
	Insert Number	Radius	Price	
			No-Coat	AlTiN
	Di90WL-1	.015	\$15.00	\$17.50
Di90WL-2	.030			

Screw & Key	Number	Price
	DX-3MM	\$2.50
	T8	\$6.00



A. B. TOOLS, INC.  
1051 Aviation Blvd.  
Lincoln, CA 95648-9312

Phone 916 408-2442  
FAX 916 993-3949

www.abtoolsinc.com  
E-Mail: mail@abtoolsinc.com