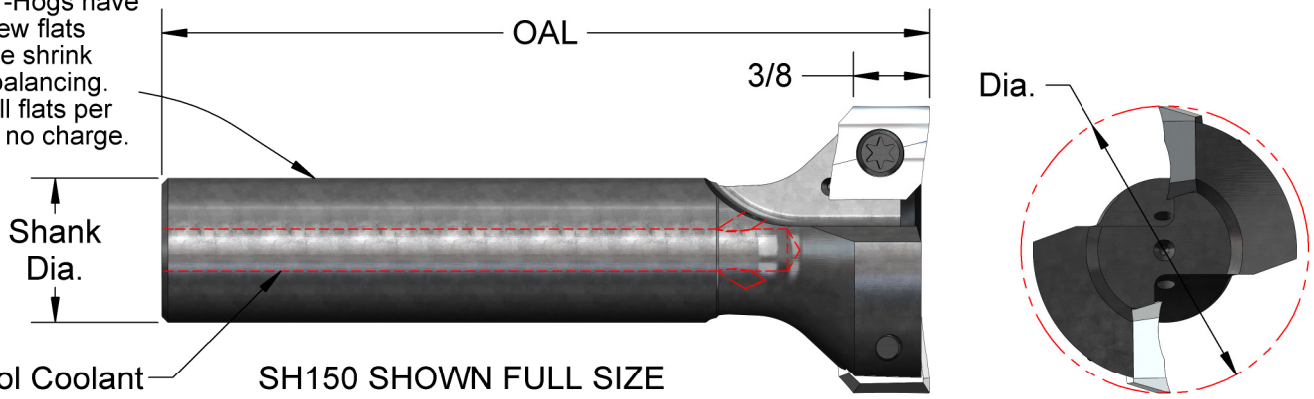


Shank Style Shear-Hogs®

The Shear-Hogs have no set-screw flats for possible shrink fit use or balancing. We will mill flats per request at no charge.



Are you rough milling aluminum at 6 CIM per HP?

Number	Dia.	Shank Dia.	OAL	No. of Flutes	Ramp Angle	Price	Shear-Hog Inserts	Corner	Price
SH100	1.0	3/4	4.0	1	Drills in Z!	\$215.	ADEH-430	Sharp	\$19.50 ea.
SH100-6	1.0	3/4	6.0	1	Drills in Z!	\$265.	ADEH-431	.010 R	\$19.50 ea.
SH125	1-1/4	3/4	4.0	2	8°	\$245.	ADEH-432	.030 R	\$19.50 ea.
SH125-1	1-1/4	1.0	4.0	2	8°	\$255.	ADEH-434	.060 R	\$19.50 ea.
SH125-6	1-1/4	1.0	6.0	2	8°	\$330.	ADEH-436	.090 R	\$21.50 ea.
SH125-9	1-1/4	1.0	9.0	2	8°	\$435.	ADEH-438	.120 R	\$21.50 ea.
SH150	1-1/2	3/4	4.0	2	5°	\$285.	ADEH-45	.015 x 45°	\$21.50 ea.
SH150-1	1-1/2	1.0	4.5	2	5°	\$295.	Extra Insert Features		Add to Price
SH150-7	1-1/2	1-1/4	7.0	2	5°	\$365.	.002 Honed Edge		\$3.00
SH150-8	1-1/2	1.0	8.0	2	5°	\$395.	AlTiN Coat		\$4.25
SH200-3/4	2.0	3/4	4.5	3	4°	\$340.	DLC Coat		\$5.75
SH200-1	2.0	1.0	5.0	3	4°	\$340.	Honed Edge & AlTiN Coat		\$7.25
SH200-7	2.0	1-1/4	7.0	3	4°	\$410.	Insert Screws and Wrench		
SH200-9	2.0	1-1/4	9.0	3	4°	\$465.	3.5mm-SH (2012 and newer)		\$2.00 ea.
SH300-3/4	3.0	3/4	5.0	4	None	\$455.	8-32-SH (Older than 2012)		\$2.00 ea.
SH300-1	3.0	1.0	5.0	4	None	\$455.	T15 Wrench		\$7.50 ea.
SH300-1.25	3.0	1-1/4	5.0	4	None	\$455.			
SH400-1.25	4.0	1-1/4	5.5	4	None	\$600.			
SH450	4-1/2	1-1/4	5.5	5	None	\$675.			

All cutter prices include Inserts, Screws, and Wrench, assembled and ready to cut.

See page 63 for recent test results on a HAAS VF1



A. B. TOOLS, INC.
1051 Aviation Blvd.
Lincoln, CA 95648-9312

Phone 916 408-2442
FAX 916 993-3949

www.abtoolsinc.com
E-Mail: mail@abtoolsinc.com