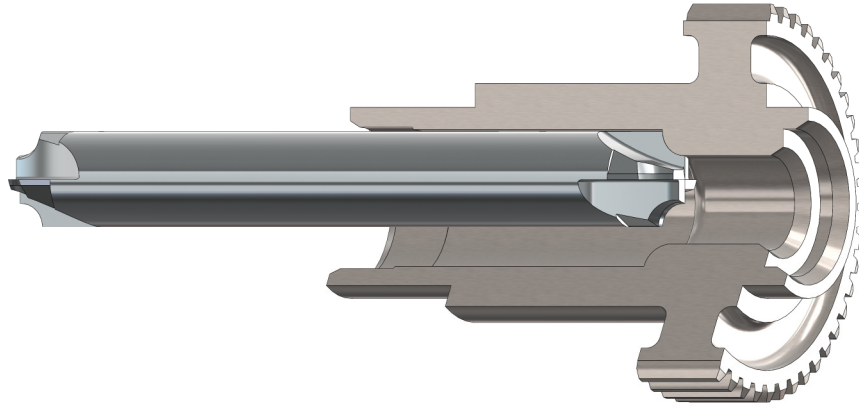
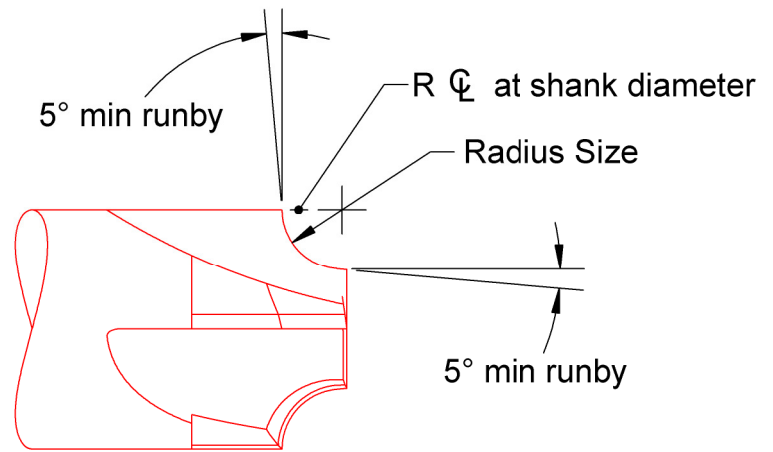


Extended Reach, Double End, Solid Carbide, Corner Rounders



Specials in 4-6 Working Days

Radius center at shank diameter allows machining close to other features.



Number	Radius sizes, add to prefix, example CRL1/2-062							Shank & OAL	Flutes	Price	
CRL1/4-	.010	.015	.020	.031	.046	.062		1/4 X 3	2 or 4	\$95.	
CRL3/8-	.010	.015	.020	.031	.046	.062		3/8 X 4	2 or 4	\$115.	
	.093	.125						3/8 X 4	2 or 4		
CRL1/2-	.010	.015	.020	.031	.046	.062	.093	.125	1/2 X 4	2 or 4	\$135.
	.156	.187							1/2 X 4	2 or 4	



A. B. TOOLS, INC.
1051 Aviation Blvd.
Lincoln, CA 95648-9312

Phone 916 408-2442
FAX 916 993-3949

www.abtoolsinc.com
E-Mail: mail@abtoolsinc.com