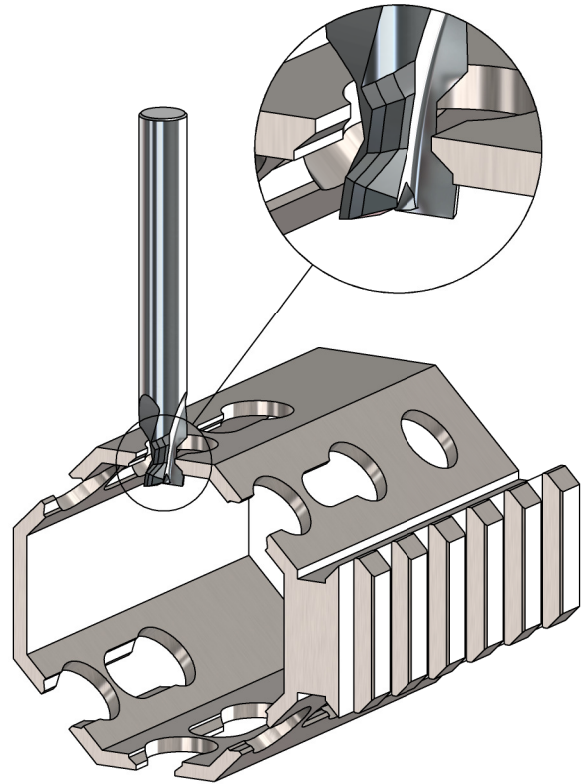
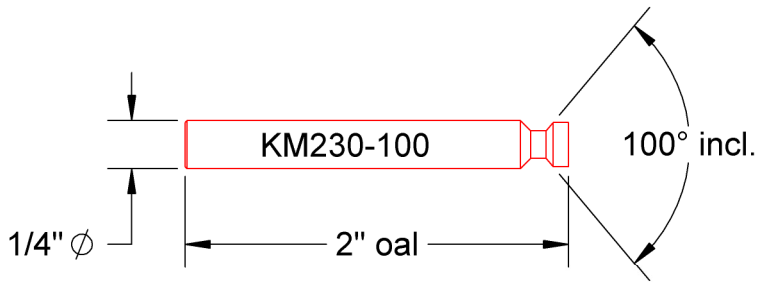


Solid Carbide Keymod Cutter

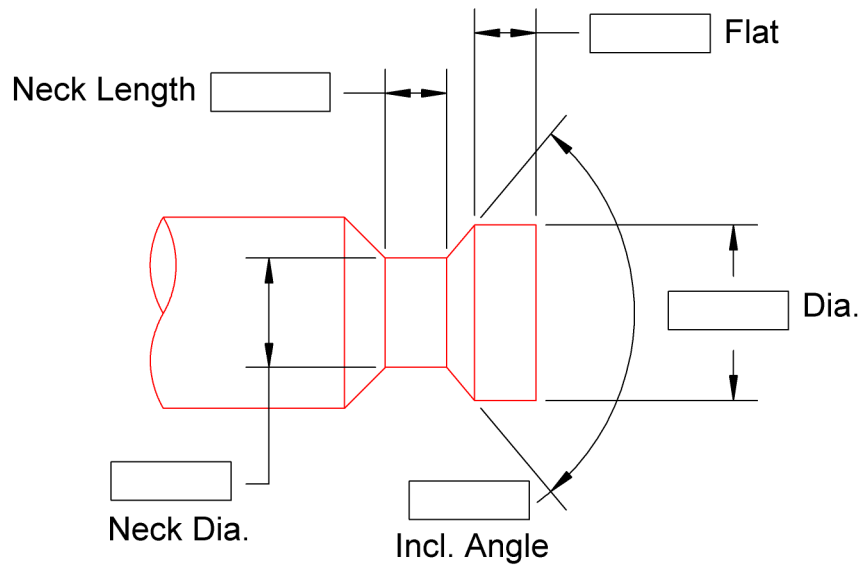
(3) flutes



Number	Price	
	No-Coat	AlTiN
KM230-100	\$90.	\$94.

Special Keymod Cutters in 4-6 Working Days

Machining what part material, please? _____



A. B. TOOLS, INC.
1051 Aviation Blvd.
Lincoln, CA 95648-9312

Phone 916 408-2442
FAX 916 993-3949

www.abtoolsinc.com
E-Mail: mail@abtoolsinc.com