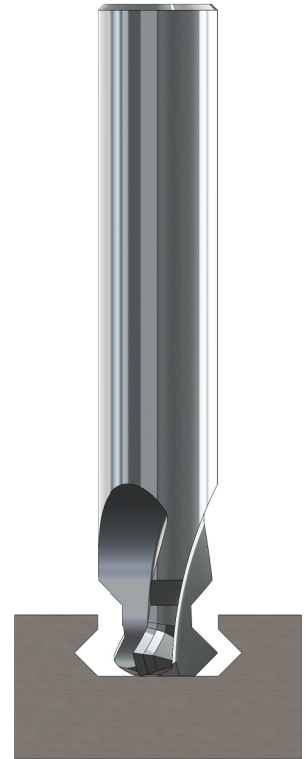
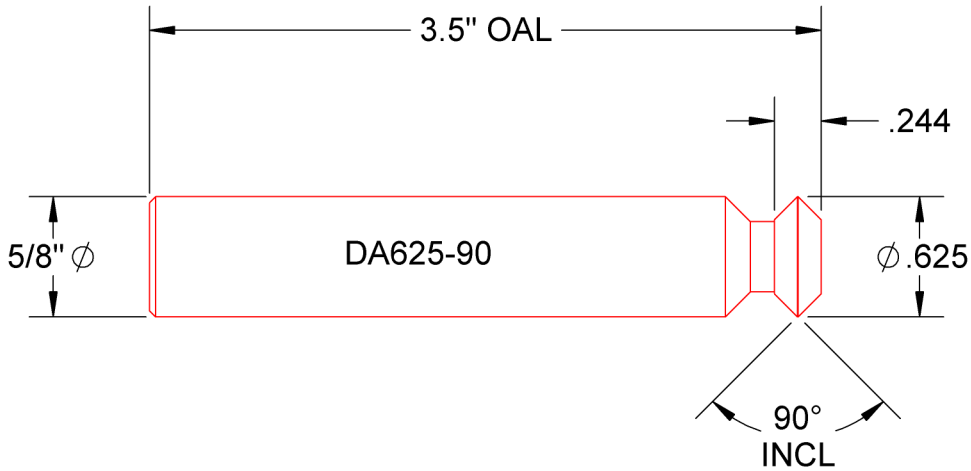


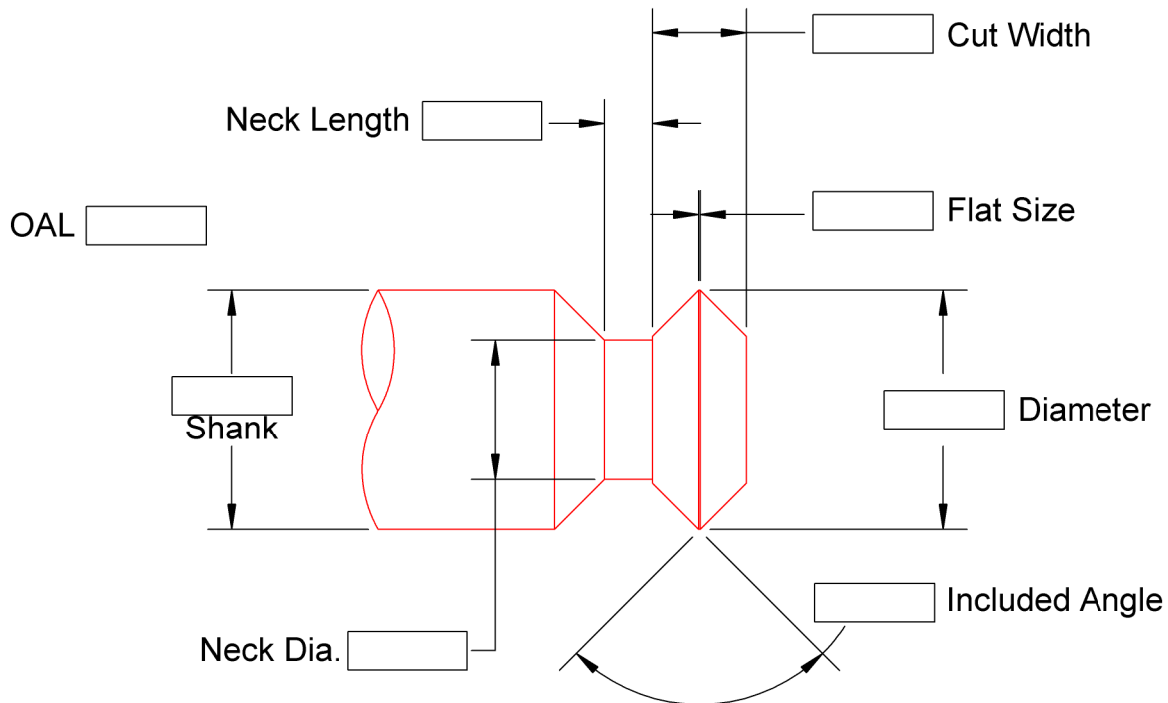
Solid Carbide Male Picatinny (Fixture) Cutter



Number	Flutes	Price	
		No-Coat	AITiN
DA625-90-3	3	\$175.	\$197.
DA625-90-4	4	\$182.50	\$194.50

Special Male Picatinny (Fixture) Cutters in 4-6 Working Days

Machining what part material, please? _____



A. B. TOOLS, INC.
1051 Aviation Blvd.
Lincoln, CA 95648-9312

Phone 916 408-2442
FAX 916 993-3949

www.abtoolsinc.com
E-Mail: mail@abtoolsinc.com