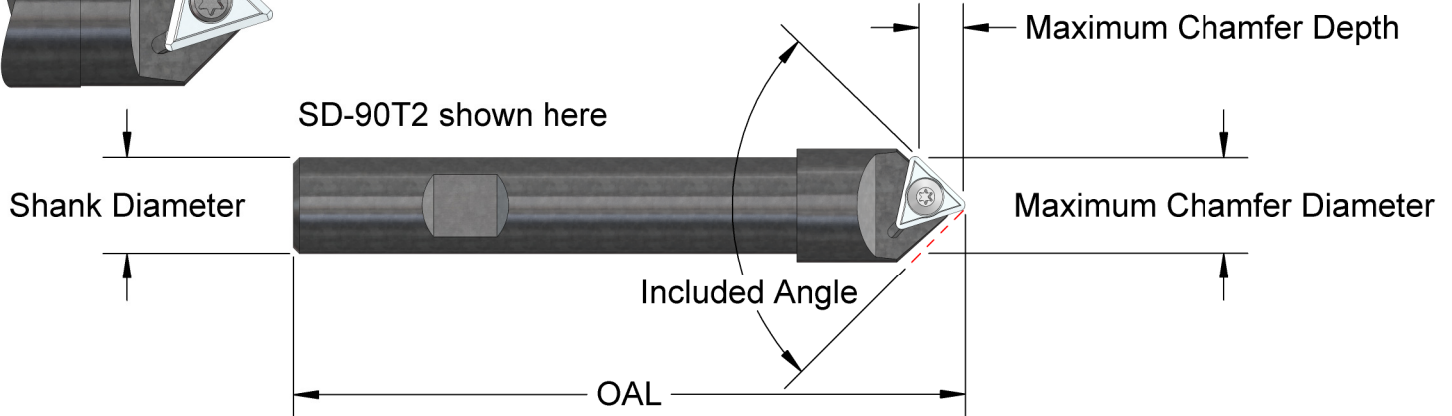
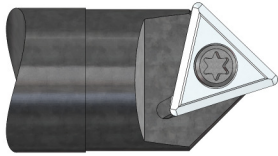
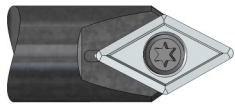


Spot-Dex Tools (for all part materials)

SD-90T3 shown here



SD-60D3 shown here



SD-60D2 shown here



These all use Industry Standard inserts with secondary clearance facets ground to avoid dragging on the small cut diameters.

We've spot drilled to .190 depth with the SD-60D2 in mild steel at 4000 RPM and 1 IPM, and milled grooves in X-Y at 10 IPM.

Number	Included Angle	Max Chamfer Dia.	Max Chamfer Depth	*Insert No. (modified)	Screw Size	Shank and OAL	Price including Wrench & Screw
SD-60D2	60°	.310	.240	DPMT-21.51	2.5MM	1/2 X 3.5	\$190.
SD-60D3	60°	.480	.380	DPMT-32.52	4MM		\$210.
SD-70D2	70°	.350	.230	DPMT-21.51	2.5MM		\$190.
SD-70D3	70°	.530	.340	DPMT-32.52	4MM		\$210.
SD-82T2	82°	.530	.290	TPMT2-2	4-40	1/2 X 3.5	\$190.
SD-82T3	82°	.770	.410	TPMT322	4MM	3/4 X 5.0	\$210.
SD-90T2	90°	.570	.270	TPMT2-2	4-40	1/2 X 3.5	\$190.
SD-90T3	90°	.820	.390	TPMT322	4MM	3/4 X 5.0	\$210.
SD-100T2	100°	.610	.240	TPMT2-2	4-40	1/2 X 3.5	\$190.
SD-100T3	100°	.890	.350	TPMT322	4MM	3/4 X 5.0	\$210.
SD-120T2	120°	.680	.190	TPMT2-2	4-40	1/2 X 3.5	\$190.
SD-120T3	120°	.990	.270	TPMT322	4MM	3/4 X 5.0	\$210.

Insert Number	R. Size	Price
DPMT-21.51	.015	\$17.50
TPMT2-2	.031	\$15.00
DPMT-32.52	.031	\$19.00
TPMT322	.031	\$17.50

Screw	Price
2.5 MM	\$4.25
4-40	\$5.00
4 MM	\$5.00
4 MM	\$5.00

Wrench	Price
Torxit-7	\$6.00
Torxit-7	\$6.00
Torxit-15	\$7.50
Torxit-15	\$7.50



A. B. TOOLS, INC.
1051 Aviation Blvd.
Lincoln, CA 95648-9312

Phone 916 408-2442
FAX 916 993-3949

www.abtoolsinc.com
E-Mail: mail@abtoolsinc.com